

SCM500C-8H MILLING MACHINE

COMPACT AND FLEXIBLE

- ◆ Machine height < 2.2m, can enter the underground garage to work
- ◆ Milling radius $\leq 0.325\text{m}$, convenient to milling hole cover edge and corner

EFFICIENT & MULTIFUNCTIONAL

- ◆ Powerful four-wheel drive avoiding slip.
- ◆ Large power (90kW) small body.
- ◆ Can match the transporting system variable width tool system, raise vocal cord square wheel, meeting different construction requirements.

EASY OPERATION & INTELLIGENT

- ◆ SYMC intelligent controller, standard leveling program, cylinder built-in leveling sensor.
- ◆ Control button status, current and voltage are all visible on the screen, easy for check, monitor and maintenance.
- ◆ Show maintenance information, fault & alarm information and milling quantity statistics intelligently.
- ◆ Equipped with slow turning function of milling drum, easy for cutter changing.
- ◆ Multi-function integrated handle, comfortable and convenient operation.



高效多能

- ◆ 标配四驱，强劲有力，不打滑。
- ◆ 功率大 (100kW)，小机身大能量。
- ◆ 可搭配输料系统、变宽度刀具系统、隆声带方轮，满足不同施工需求。

小巧灵活

- ◆ 整机高度 < 2.2m，能进地下车库铣刨。
- ◆ 铣刨半径 $\leq 0.325\text{m}$ ，方便井盖、边角铣刨。

简单智能

- ◆ 采用 SYMC 智能控制器，标配找平程序，油缸内置找平传感器。
- ◆ 控制按钮的通断、电流、电压均可可视化，易于检查、监测、维护。
- ◆ 智能提示维护保养信息、故障报警信息、铣刨方量统计等。

- ◆ 配备铣刨鼓慢转功能，换刀更轻松。
- ◆ 采用多功能集成手柄，操作舒适便捷。

TECHNICAL PARAMETER

技术参数

Technical Parameters of SCM500C-8H Milling Machine

SCM500C-8H 铣刨机技术参数

Items		SCM500C-8H
最大铣刨宽度 Max. Milling Width(mm)		500
最大铣刨深度 Max. Milling Depth(mm)		0~180
运输重量 Transportation Weight(t)		7
工作重量 Operating Weight(t)		7.5
发动机 Engine	厂家 / 型号 Manufacturer/Mode	三一 /SANY D05 排放标准: 国III Emission: China III
	功率 Rated Power of Engine(kW)	100
	额定转速 Rated Speed of Engine(rpm)	2200
	满负荷油耗 Fuel Consumption With Full Load(mm)	21
铣刨鼓 Milling Drum	转子直径 Rotor Diameter	670
	刀尖距 Milling Tool Bit Distance(mm)	15
理论 爬坡能力 Theoretical Gradeability	工作档 Work Gear	75%
	行驶档 Travel Gear	10%
行走驱动方式 Travel Drive Mode		全轮驱动, 两档调速 All-wheel-drive, two-gear speed control
速度 Speed(km/h)		0~8
行走方式 Travel Mode		轮胎式 Tyre
轮胎型号 Tyre Type		实心橡胶轮胎 Solid Rubber Tyre
轮胎尺寸 Tyre Dimensions(mm)		Φ559×203
燃油箱容积 Fuel Tank Capacity(L)		160
液压油箱容积 Hydraulic Oil Tank Capacity(L)		80
水箱容积 Water Tank Capacity(L)		320
转向形式 Steering Mode		前轮转向 Front-wheel Steering
前轮转向角度 Steering Angle		45°(左)/60°(右) 45°(left)/60°(right)
转子驱动方式 Rotor Drive Mode		液压马达驱动 Hydraulic Motor
输料方式 Conveying Mode		后输料 Backward Conveying
输料皮带宽度 Width of Conveyor Belt(mm)		400
理论输料能力 Theoretical Conveying Capacity(m³/h)		84
最大卸料高度 Max. Discharging Height(m)		2.9

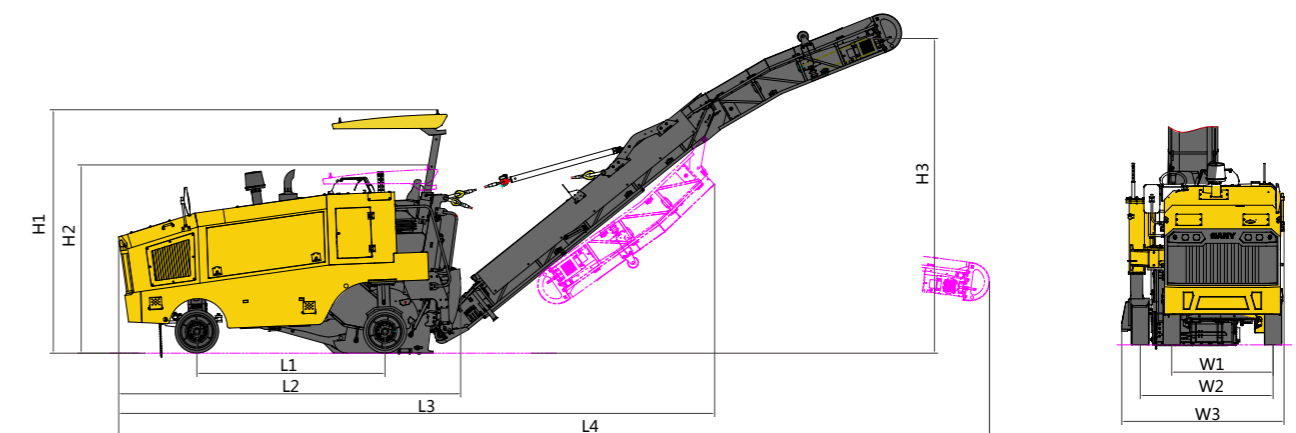
备注:
工作重量包括半箱水、半箱燃油、机手(75kg)及刀具;
Note:
The working weight includes that of a half tank of water, a half tank of fuel, the operator (75 kg) and cutting tool.

Basic and Optional Configuration of SCM500C-8H Milling Machine

SCM500C-8H 铣刨机基本配置和选配方案

型号 Model	基本配置 Basic Configuration	选配 / 加配 Optional/Additional Configuration	
	基本配置 Basic Configuration	名称规格 Name and Specification	配置属性 Configuration Property
SCM500C-8H	三一动力发动机 + 四轮驱动 + 液压传动 + 标准刀间距铣刨鼓 + 标配找平 SANYpower engine + 4WD + hydraulic Motor drive + milling drum with the standard cutter space + standard leveling	可折叠输料机 Foldable conveyor	选配 Optional
		顶篷 Roof	选配 Optional
		0.35m 米铣刨刨鼓 0.35m milling drum	选配 Optional

主要尺寸 Main Dimension	SCM500C-8H
H1(mm)	3085
H2(mm)	2440
H3(mm)	4190
W1(mm)	950
W2(mm)	1380
W3(mm)	2085
L1(mm)	1800
L2(mm)	3370
L3(mm)	5990
L4(mm)	8640



SANY HEAVY INDUSTRY CO., LTD.

SANY Industry Town, Changsha Economic and Technological Development Zone,
Hunan Province, China
Service Line: +86 4006 098 318 E-mail: crd@sany.com.cn

SANY[®]
QUALITY CHANGES THE WORLD.